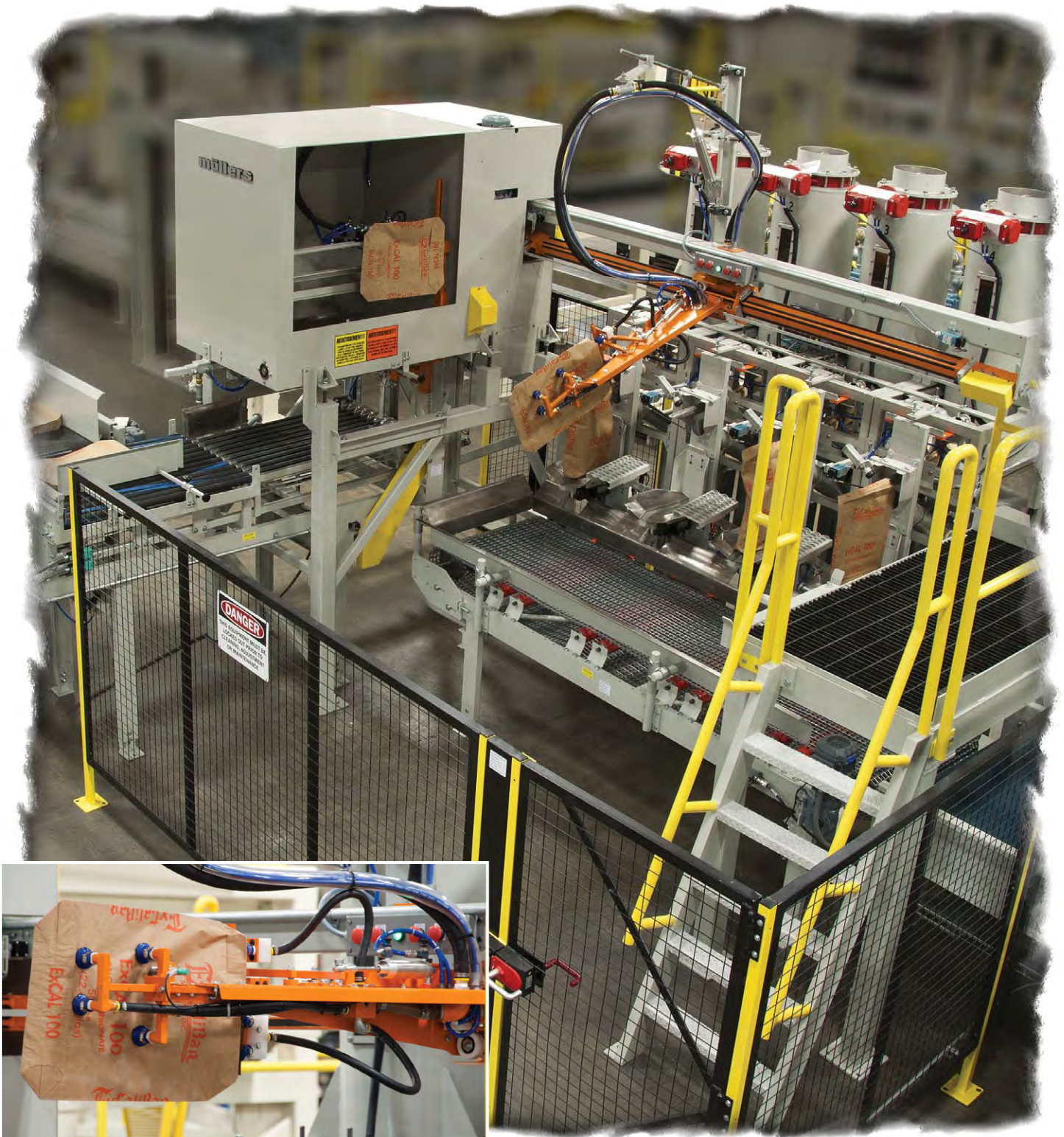


# möllers

North America, Inc.

**Automatic Bag Placer with Transversing Arm and Pivoting System**



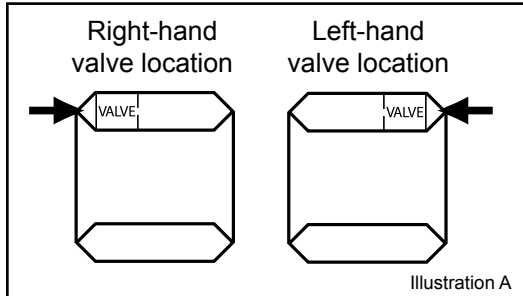
Mollers North America, Inc. • 5215 52nd Street, SE • Grand Rapids, Michigan USA 49512  
Phone 616/942-6504 • Fax 616/942-8825 • E-mail: [Mollersna@mollersna.com](mailto:Mollersna@mollersna.com) • [www.mollersna.com](http://www.mollersna.com)



### Description

Mollers' Valve Bag Placer automatically places kraftpaper or plastic valve bags onto packer filling spouts. Each unit can feed up to four Mollers' packers, configured in series and equipped with spouts with automatic bag clamps and discharge devices. The complete system includes an empty bag magazine, bag feeder with placing arm and a separate control cabinet. The system can be configured on either the left- or right-hand side of the packers, but the position of the valves on the bags must correspond to the position of the bag placer (see illustration A).

### Technical specifications



**Bag dimensions (width/length)** 15" - 25" / 25" - 35"

**Valve width:** 3" - 8"

**Placing rate:** 1200 bags/hour max. depending on the number of spouts and the space between them

#### Energy requirements:

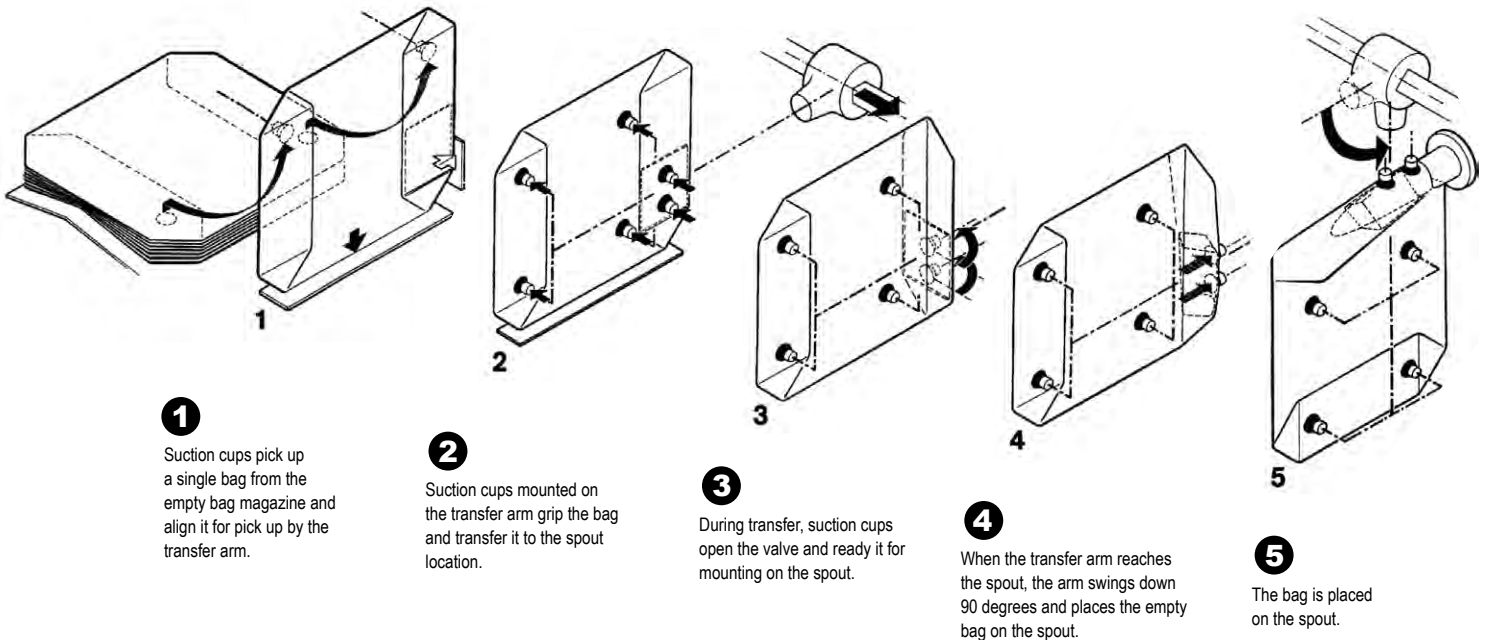
**Power** 460V-60Hz-3ph

**Compressed air** 80 PSI, 3.5CFM

**Dimensions** 6" - 0.5" x 3' - 7.5' x spout height + 4' - 7'

**Weight** 2200 lbs.

### How it works



### Complete Systems from One Source

Mollers North America also offers Valve Bag Packers and Placers, Conventional and Robotic Palletizing Options and Stretch-Hooding and Shrinkwrapping Systems for load protection and unitization.

#### Pack



Automatic placement and filling of valve bags

#### Palletize



Automatic palletizing of up to 3,000 bags per hour

#### Protect



5-sided protection with superior load unitization